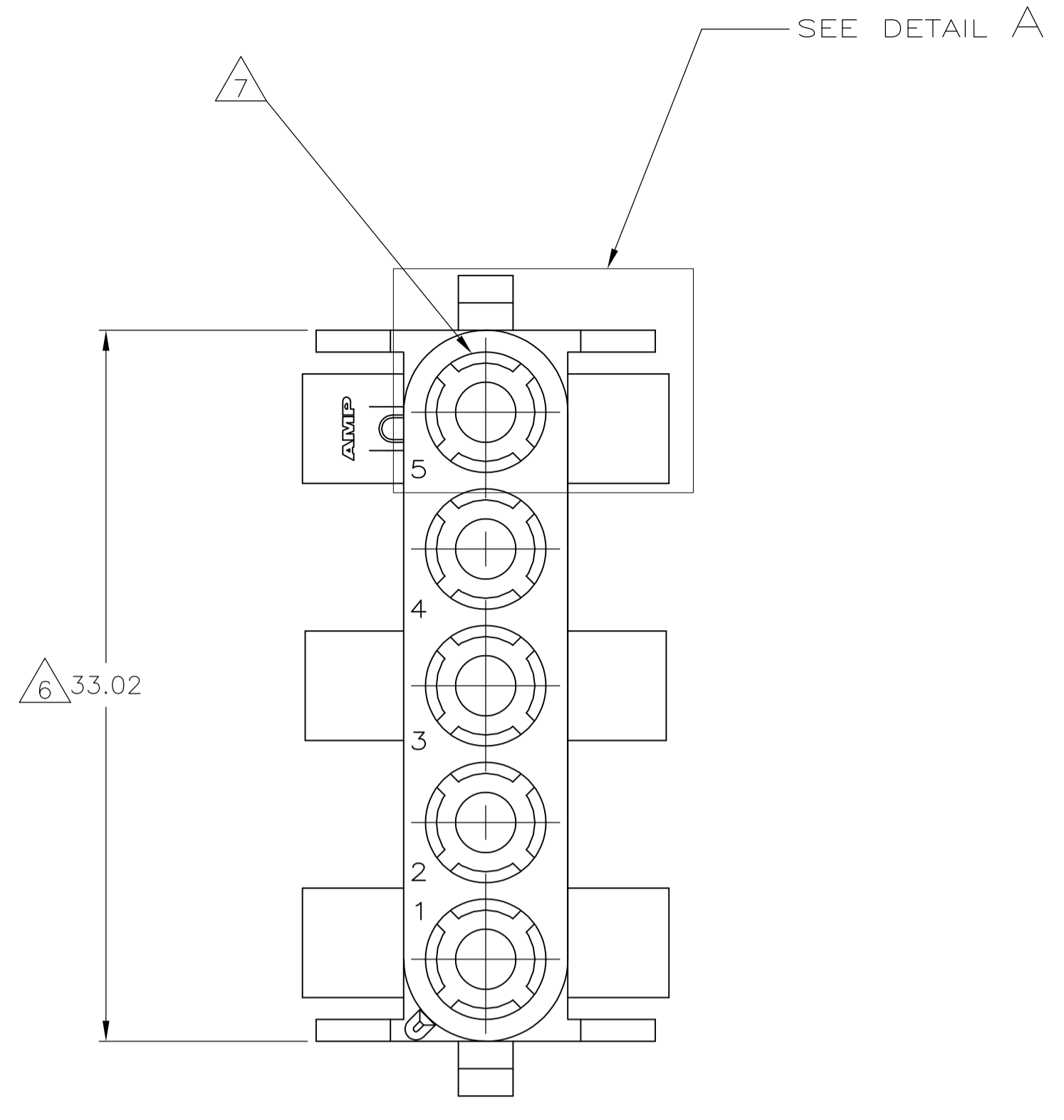
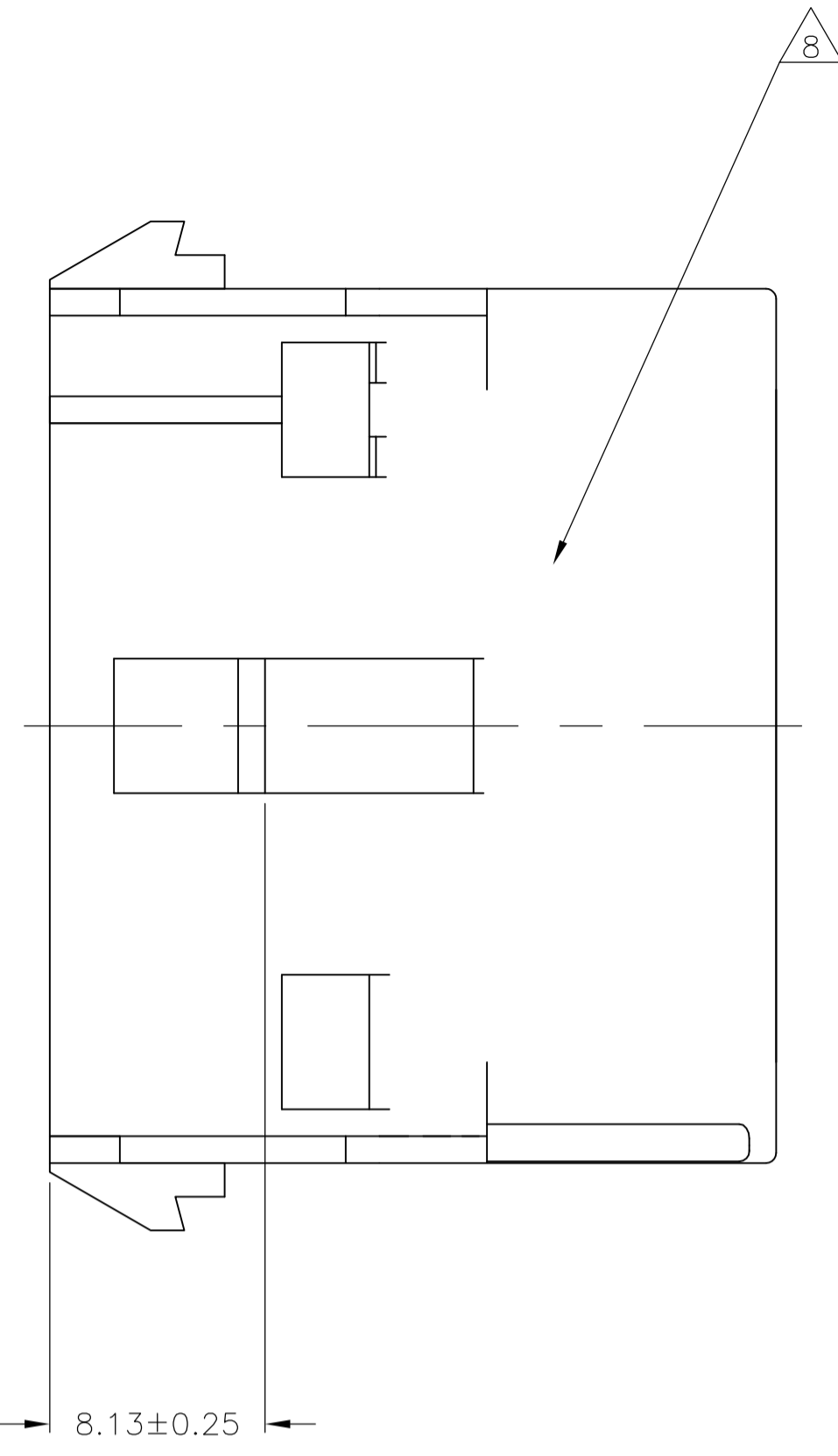
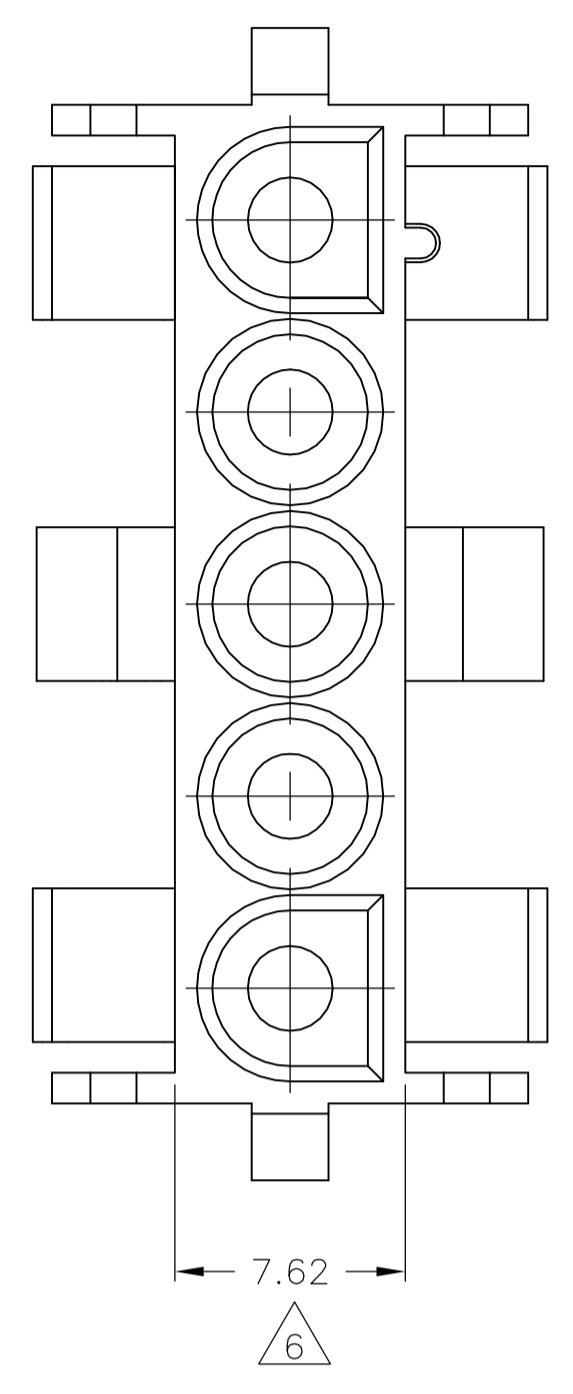
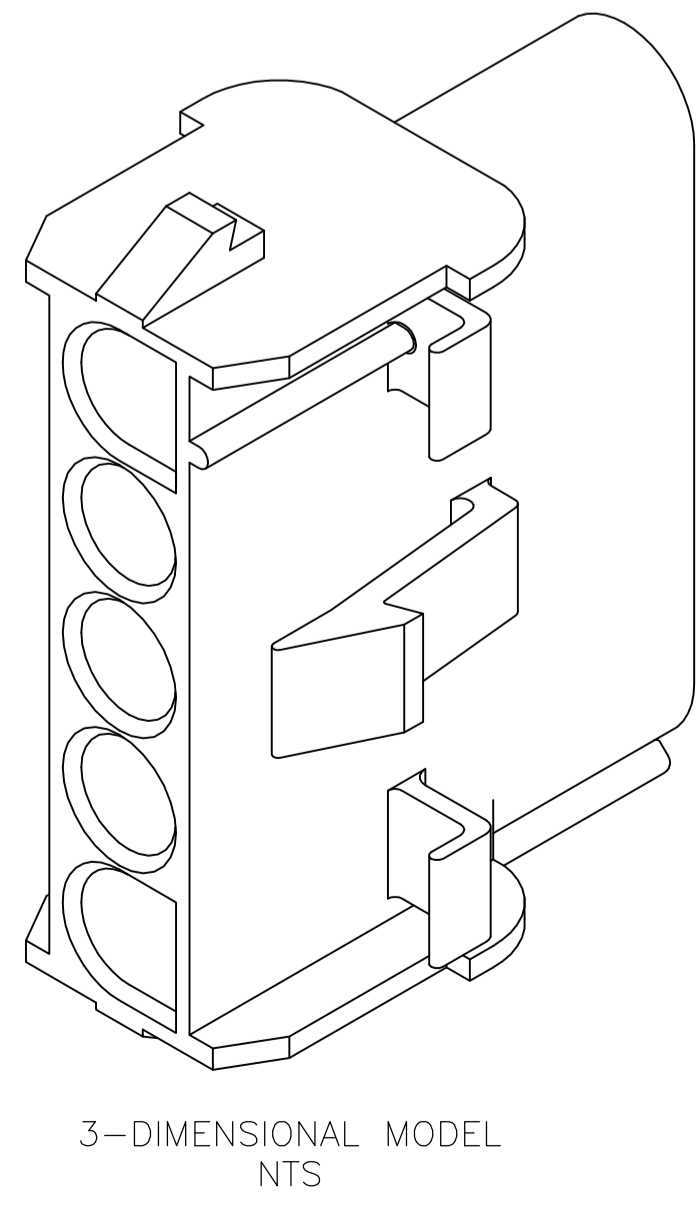
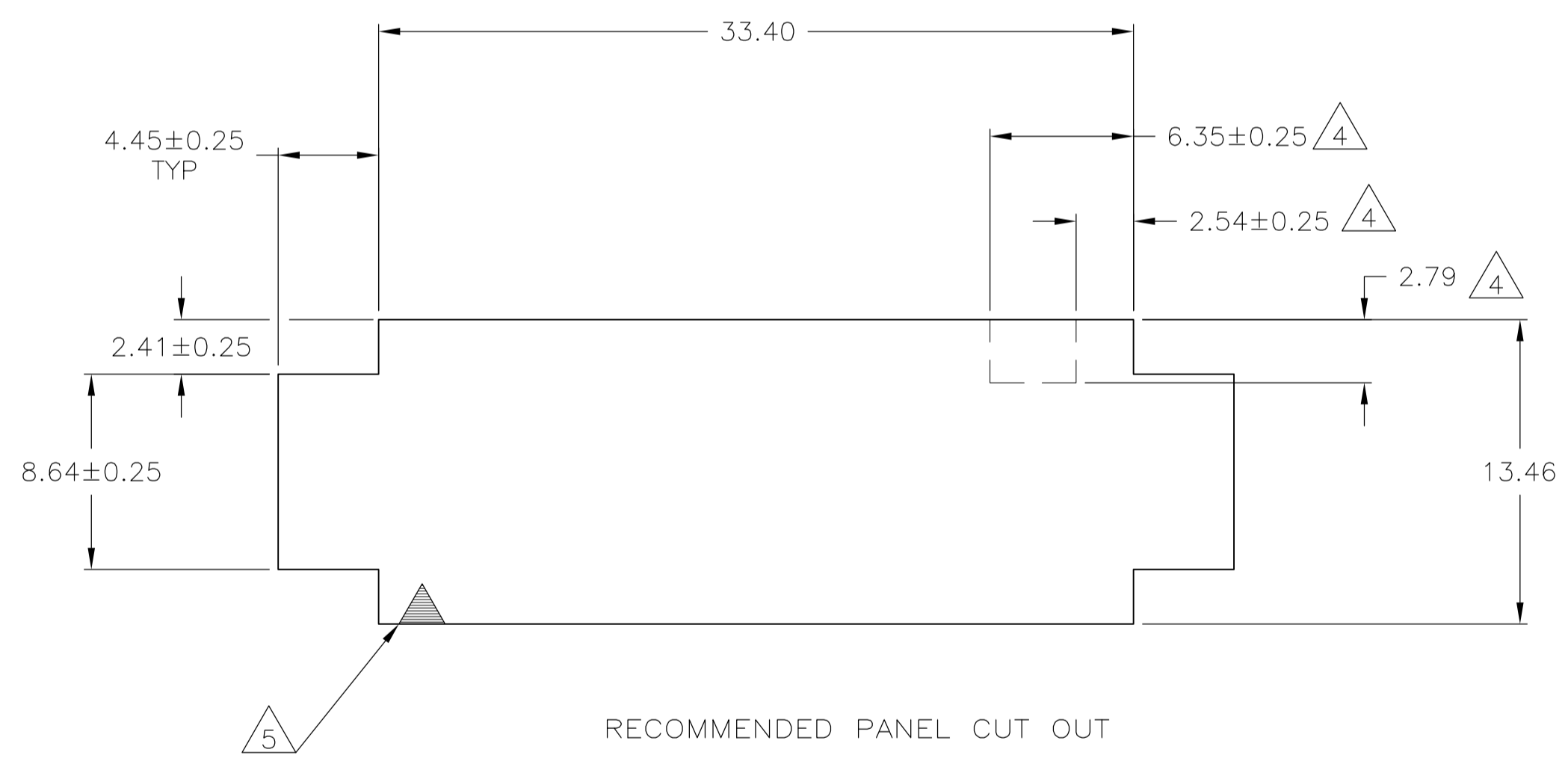
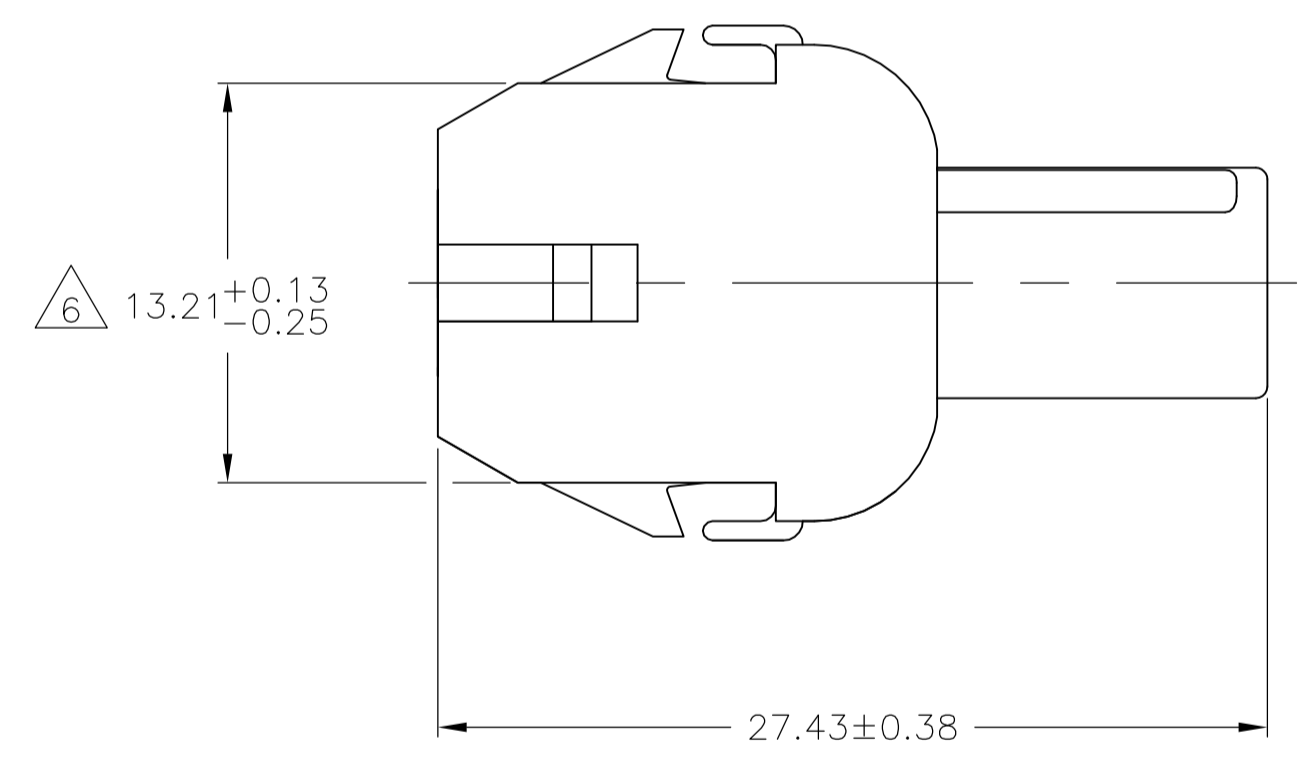
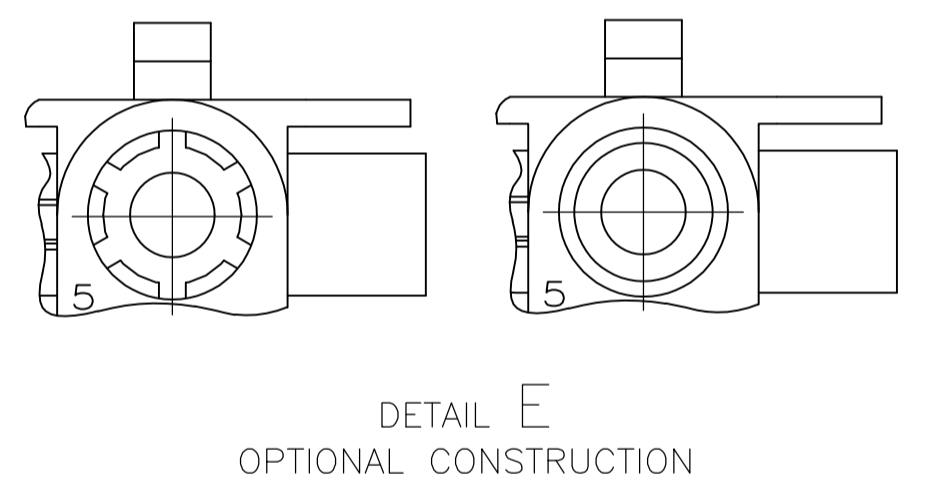


LOC		DIST		REVISIONS			
CM	53	REV	DATE	BY	CHK	APPV	
AD2	REVISED PER ECO-11-004820		11MAR11	RK	HMR		



1. MATES WITH APPROPRIATE UNIVERSAL MATE-N-LOK PLUG.
2. RECOMMENDED PANEL THICKNESS 0.76 - 2.29.
3. PANEL MUST BE PUNCHED SO THAT THE HOUSING ENTERS THE PANEL IN THE SAME DIRECTION AS THE PUNCH.
4. OPTIONAL FOR KEYING HOUSING IN PANEL.
5. CIRCUIT NUMBER 1 LOCATION.
6. DIMENSION INDICATED IS AS MOLDED. ADDITIONAL GROWTH DUE TO SUBSEQUENT MOISTURE ABSORPTION MAY OCCUR.
7. FOUR RIBS EQUALLY SPACED, NO SPECIFIC ORIENTATION. NO RIBS OR SIX RIBS EQUALLY SPACED, NO SPECIFIC ORIENTATION, OPTIONAL.
8. UNDERWRITERS RECOGNIZED COMPONENT LOGO AND CSA CERTIFICATION LOGO TO BE LOCATED ONCE EACH ON SIDE OF HOUSING.
9. OBSOLETE PARTS: OBSOLETE CIS STREAMLINING PER D.RENAUD/D.SINISI



9	BLACK	480764-9	
	GRAY	480764-8	
	BLUE	480764-6	
	GREEN	480764-5	
	YELLOW	480764-4	
9	OBSOLETE	ORANGE	480764-3
	OBSOLETE	RED	480764-2
	OBSOLETE	BROWN	480764-1
	NATURAL	1-480764-0	
	COLOR	PART NO	

MM	IN	MM	IN
4.45	.175	33.40	1.315
2.79	.110	33.02	1.300
2.54	.100	27.43	1.080
2.41	.095	13.46	.530
2.29	.090	13.21	.520
0.76	.030	8.64	.340
0.38	.015	8.13	.320
0.25	.010	7.62	.300
0.13	.005	6.35	.250

CONVERSION TABLE

THIS DRAWING IS A CONTROLLED DOCUMENT.

DIMENSIONS:	TOLERANCES UNLESS OTHERWISE SPECIFIED:	DIN K. WHITAKER 07JUN92	TE Connectivity
mm	0. PLC ± -	CHK R. SWING 07JUN92	
	1. PLC ± -	APPV D. SELF 08JUN92	NAME
	2. PLC ± 0.13		CAP.5 CIRCUIT, UNIVERSAL MATE-N-LOK™
	3. PLC ± -		SIZE CASE CODE DRAWING NO
	4. PLC ± -		A1 00779 480764
	ANGLES ± 1°		RESTRICTED TO
MATERIAL NYLON,UL 94V-2	FINISH -	WEIGHT -	SCALE 4:1 SHEET 1 OF 1 REV AD2

CUSTOMER DRAWING

